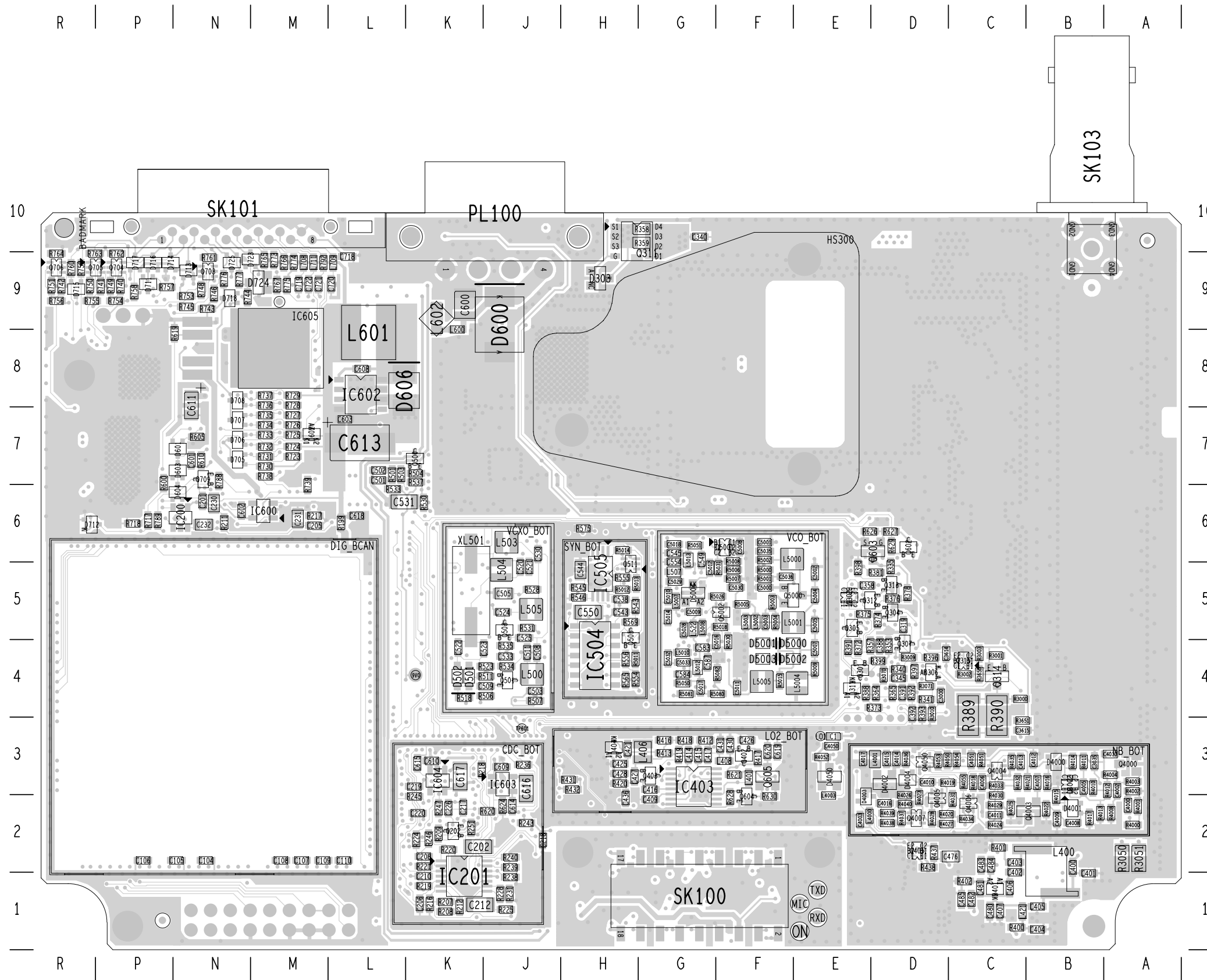
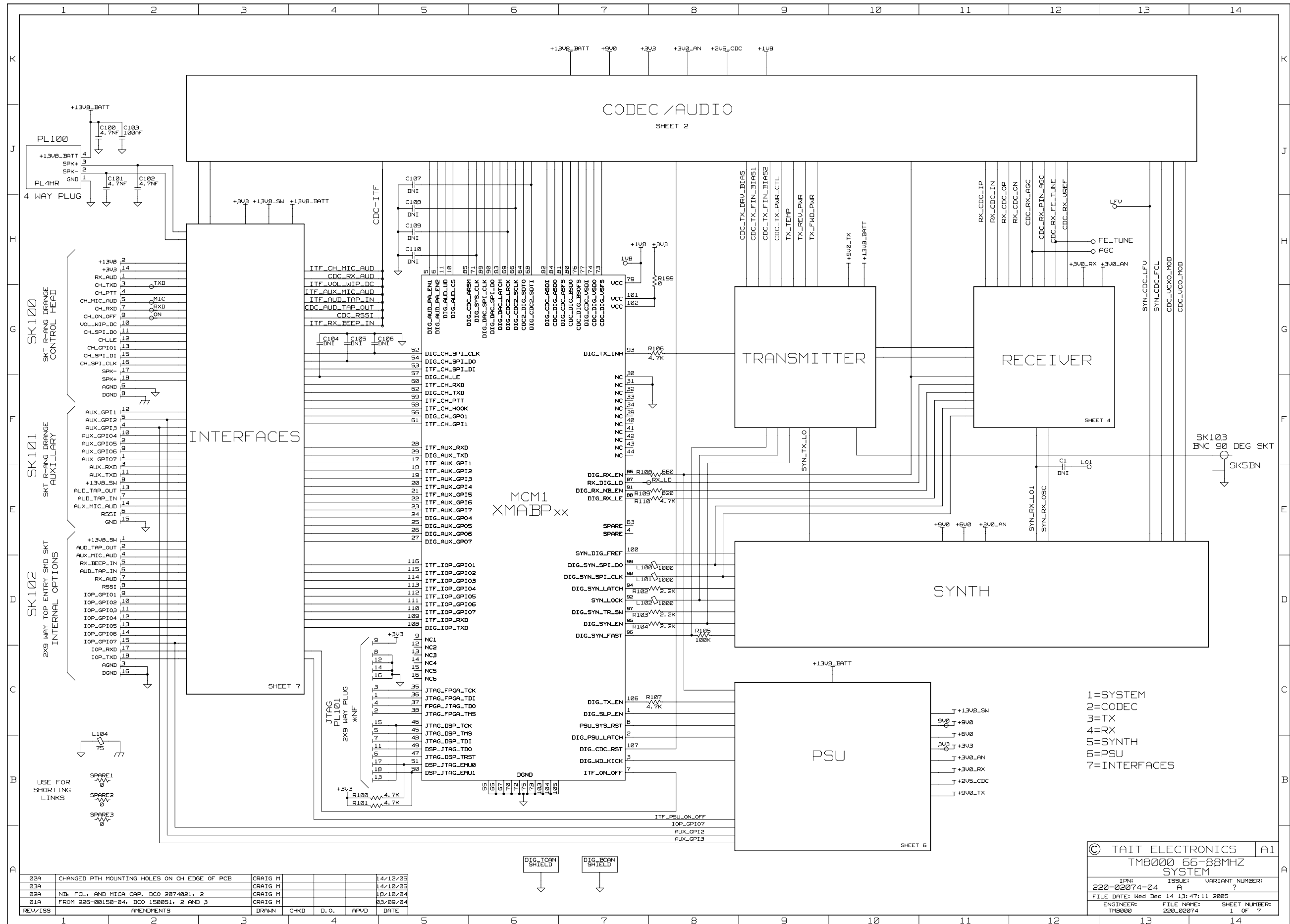


TAIT ELECTRONICS	IPN: 220-02074-04	ISS: A	DATE: 14Dec05	SCALE: NTS
TM8000 66-88MHZ MAIN BOARD LAYOUT-PRIMARY-SIDE				

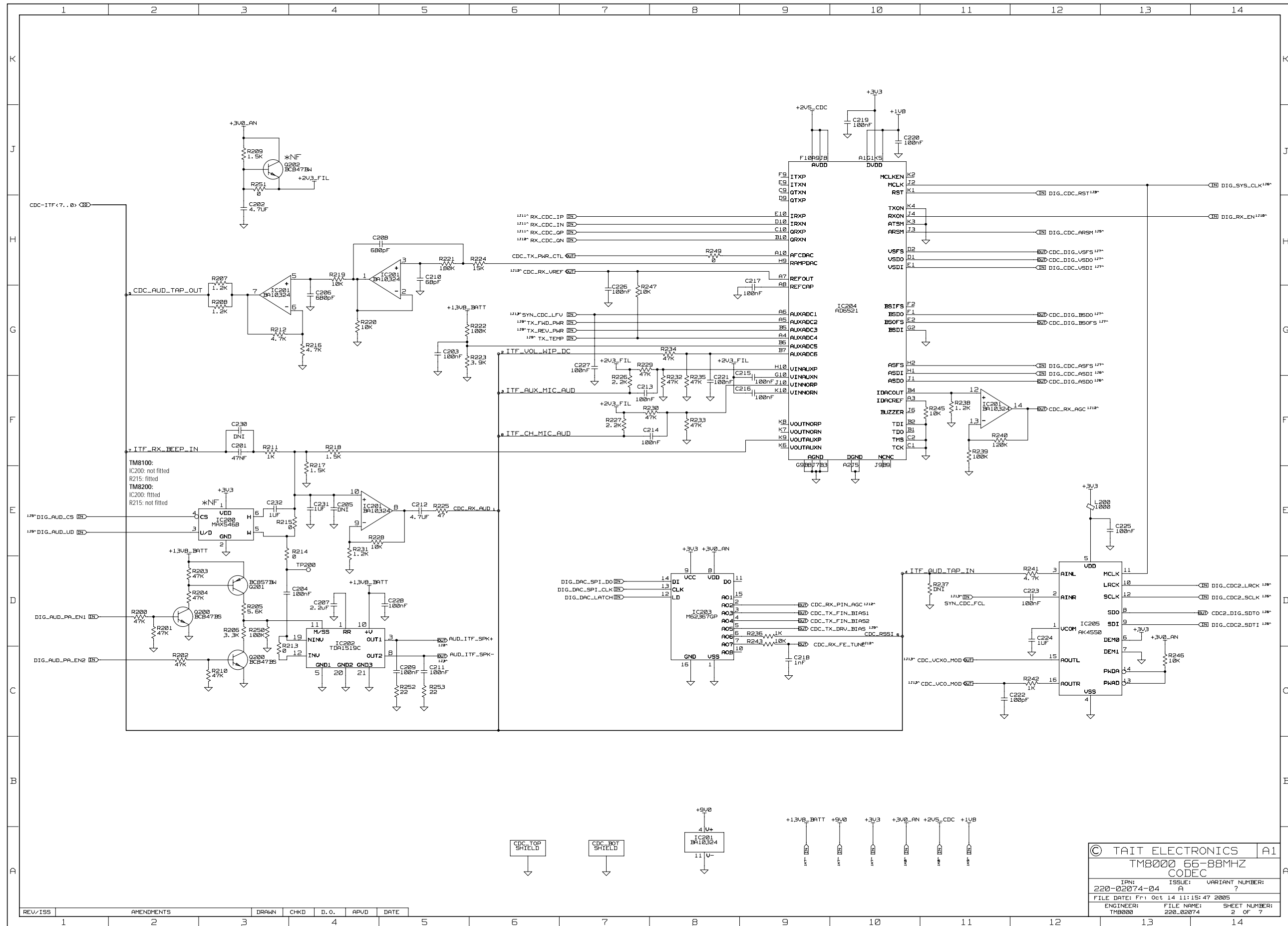


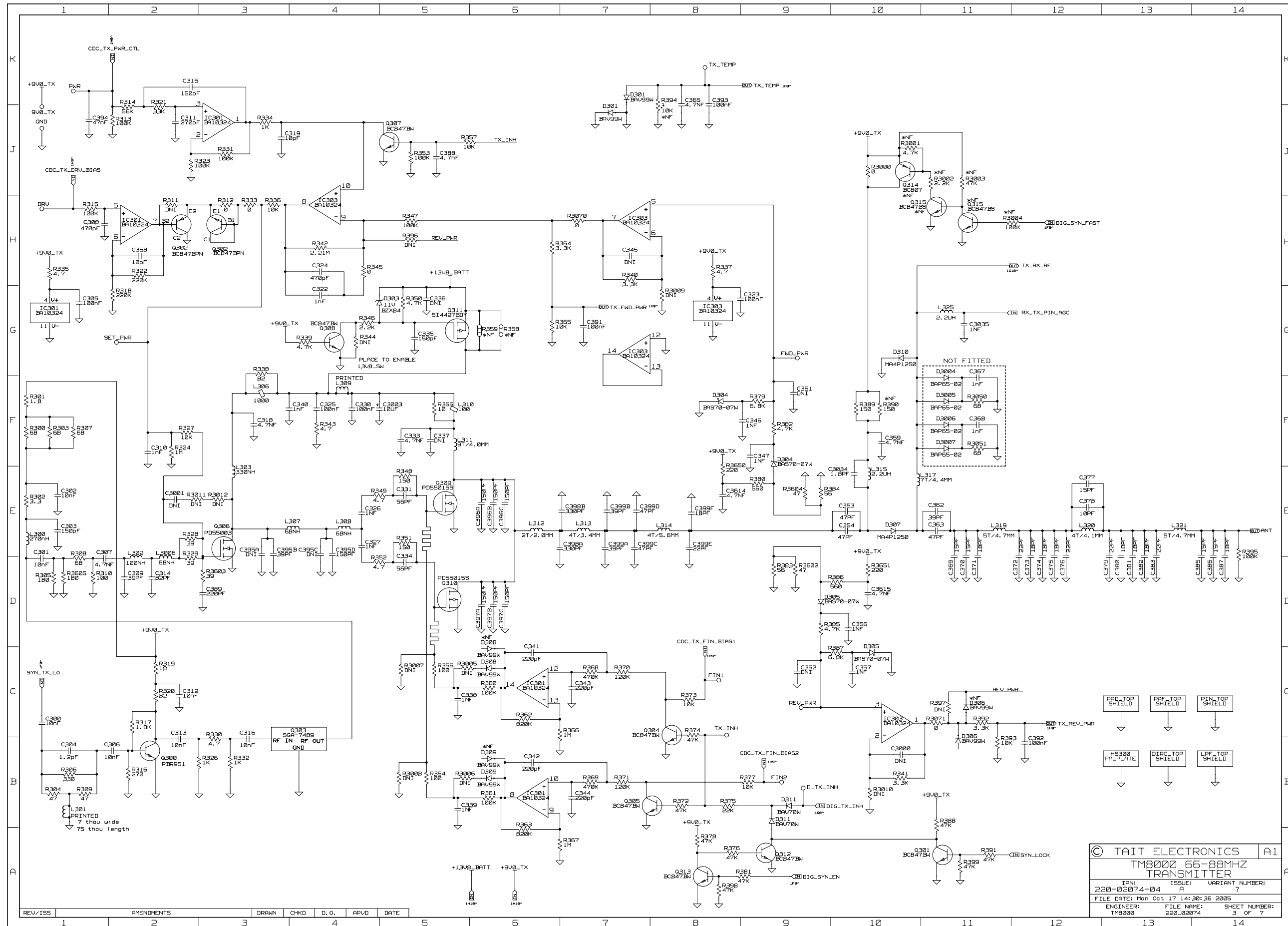
TAIT ELECTRONICS	IPN: 220-02074-04	ISS: A	DATE: 14Dec05	SCALE: NTS
TM8000 66-88MHZ MAIN BOARD LAYOUT-SECONDARY-SIDE				



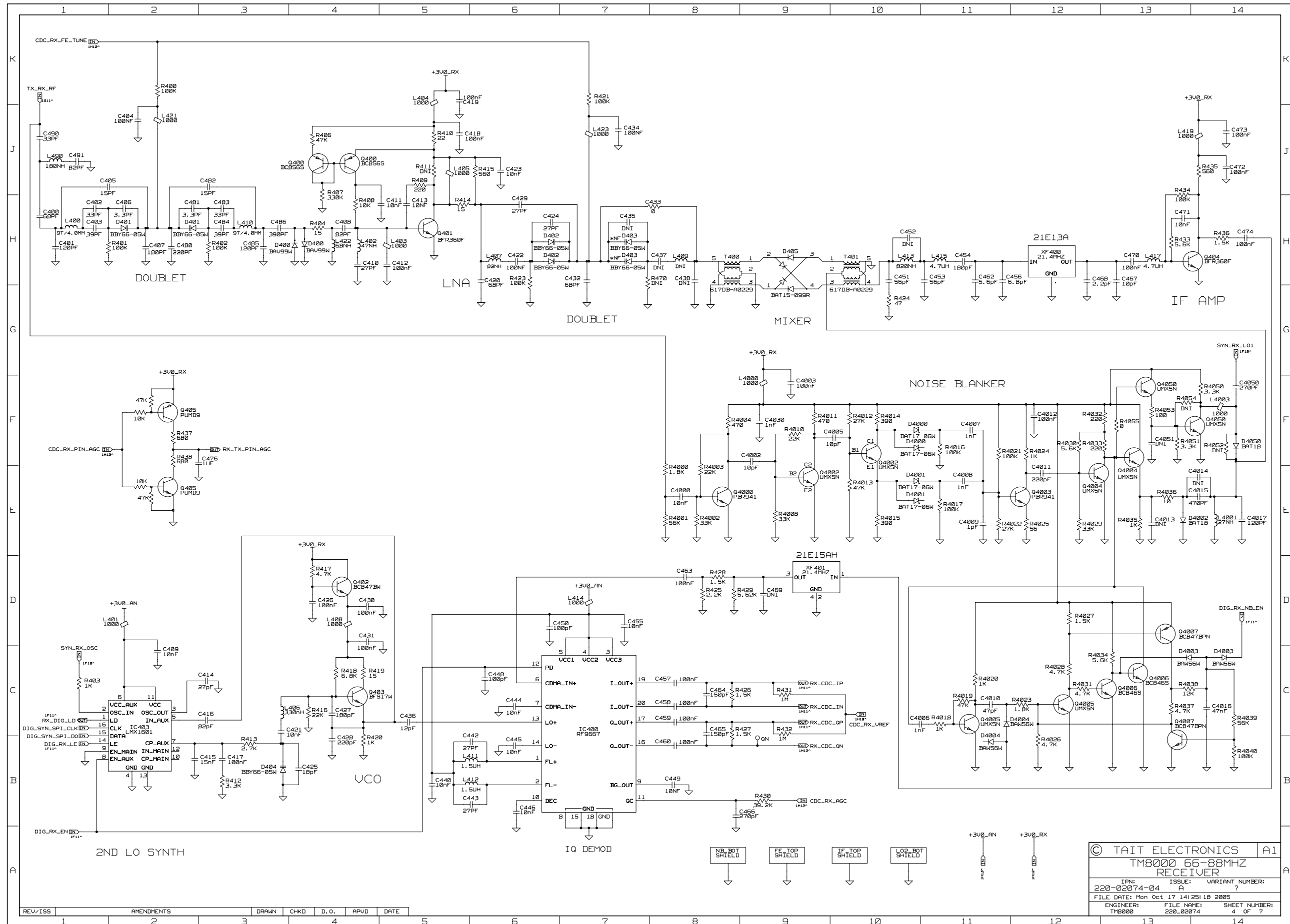
REV/ISS	AMENDMENTS	DRAWN	CHKD	D.O.	APVD	DATE
02A	CHANGED PTH MOUNTING HOLES ON CH EDGE OF PCB	CRAIG M				14/12/05
03A		CRAIG M				14/10/05
02A	NB. FCL. AND MICA CAP. DCO 2074021. 2	CRAIG M				18/10/04
01A	FROM 226-00150-04. DCO 150051. 2 AND 3	CRAIG M				03/09/04

© TAIT ELECTRONICS		A1
TM8000 66-88MHZ SYSTEM		
IPN: 220-02074-04	ISSUE: A	VARIANT NUMBER: ?
FILE DATE: Wed Dec 14 13:47:11 2005	ENGINEER: TMB000	FILE NAME: 220_02074
		SHEET NUMBER: 1 OF 7

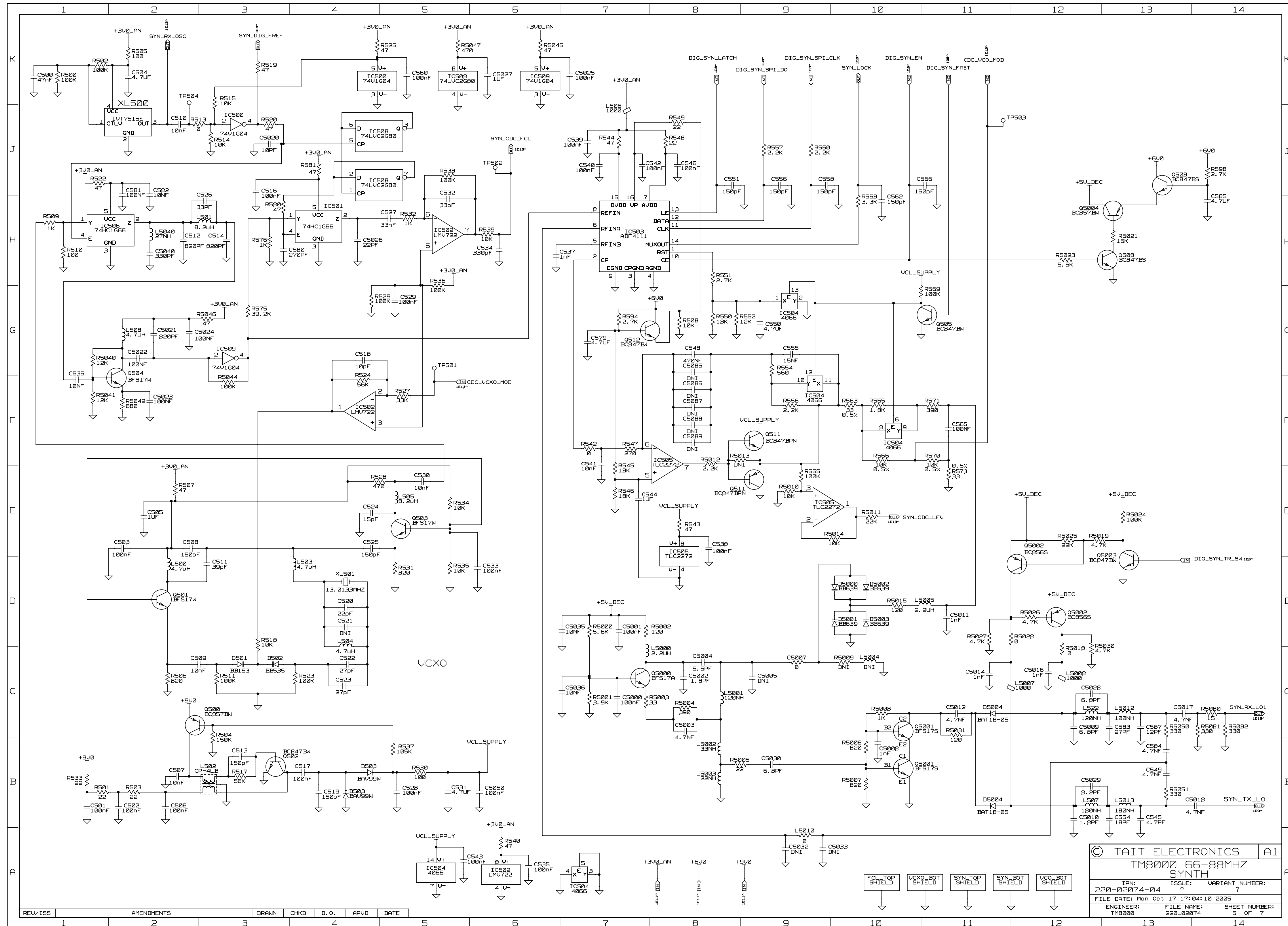


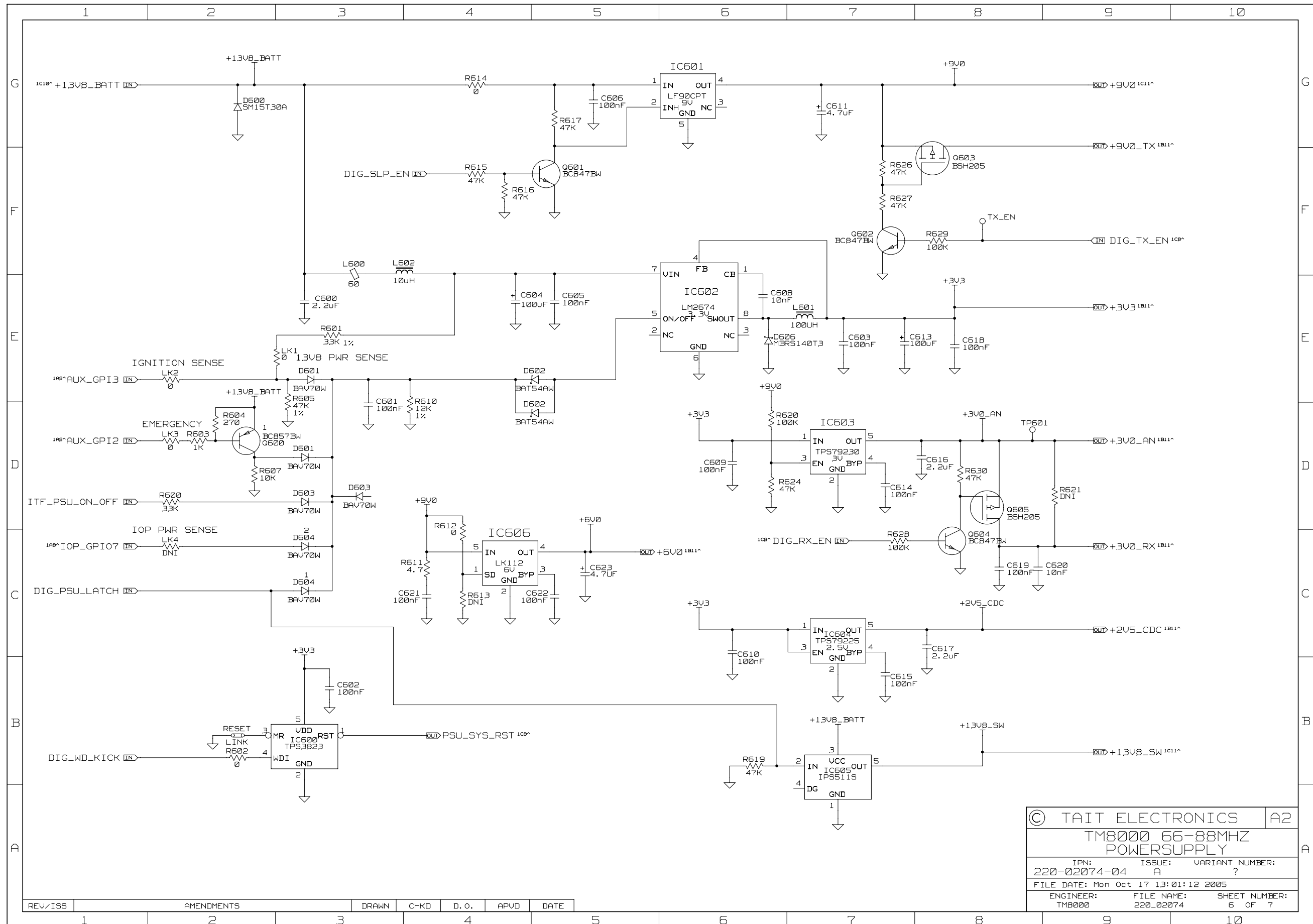


© TAIT ELECTRONICS		A1
TM8000 66-88MHZ TRANSMITTER		
IPN:	ISSUE:	VARIANT NUMBER:
220-02074-04	A	?
FILE DATE: Mon Oct 17 14:30:36 2005	FILE NAME:	SHEET NUMBER:
ENGINEER: TM8000	220-02074	3 OF 7



© TAIT ELECTRONICS		A1
TM8000 65-88MHZ RECEIVER		
IPN:	ISSUE:	VARIANT NUMBER:
220-02074-04	A	7
FILE DATE:	FILE NAME:	SHEET NUMBER:
Mon Oct 17 14:25:18 2005	TM8000_220_02074	4 OF 7





© TAIT ELECTRONICS		A2
TM8000 66-88MHZ POWERSUPPLY		
IPN: 220-02074-04	ISSUE: A	VARIANT NUMBER: ?
FILE DATE: Mon Oct 17 13:01:12 2005		
ENGINEER: TM8000	FILE NAME: 220_02074	SHEET NUMBER: 6 OF 7

